

PSD4624EX30 30X Day/Night 60fps Full HD PTZ IP Camera

www.meritlilin.com



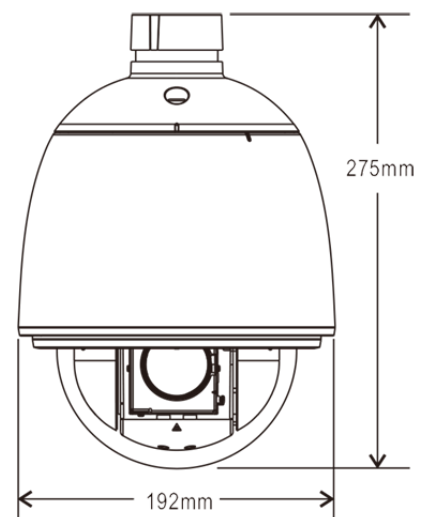
- ▶ Outdoor PTZ camera
- ▶ 30X optical zoom
- ▶ IP66 rain and dust resistant
- ▶ IR cut filter for day/night operations
- ▶ 1080P resolution
- ▶ Wide Dynamic Range up to 90dB
- ▶ H.264 and Motion JPEG multi-profile video streaming

Introduction

The PSD4624EX30 is 1080P HD PTZ IP Camera featuring 30X optical zoom capability. The high-speed dome is capable of streaming HD video at up to 60 frames per second. Featuring Wide Dynamic Range (WDR) feature, the PSD4624EX30 captures highlights and shadows simultaneously, eliminating pixilation and smear. Capable of making 360° continuous rotations, users can accurately position the camera to identify specific targets. PSD4624EX30 PTZ camera provide IP66-rated protection against water and dust. With built-in heaters and fans, the cameras are able to be used in temperatures ranging from -40°C – +50°C. The 30X optical zoom gives the PSD4624 an impressive range. With a focal length of 4.3mm (WIDE) – 129mm (TELE), PSD4624EX30 is ideal for numerous applications.

Dimensions

275 (H) x 192 (D) mm



PTZ Control Function

Pan-Tilt-Zoom (PTZ) cameras are able to perform remote directional and zoom control. The cameras field of view can be quickly zoomed and repositioned as needed to identify specific targets



30X Optical Zoom

Remote pan/tilt/zoom operations with 30X optical lens makes it possible to zoom in on distant object with absolute clarity



Wide Dynamic Range (WDR)

Wide Dynamic Range (WDR) displays details of both the brightest and darkest areas. WDR can extend image visibility under high contrast lighting scenes and improve image quality



Day and Night Operations via Removal of the IR-cut filter

PSD4624EX30 camera was designed using a mechanical IR cut filter for increased IR sensitivity resulting in improved night time images. The removable IR-cut filter allows day and night operations even in the low lux condition providing outstanding vision



ONVIF compliant

Open Network Video Interface Forum (ONVIF) is a standard for physical IP based security products. PSD4624EX30 camera is ONVIF Profile S conformant



Video Security App

Available on Android and iOS – LILINViewer app provides security alarm push notification, real-time live viewing, and remote video playback



Motion Detection

Detect motion and capture the event. Motion in the selected area will provoke an alert.



Audio Detection

With Audio Detection technology, an alarm is triggered based on ambient sound conditions as the threshold



Alarm Detection

Alarm Detection is designed to provide the electronic detection of intruders



SD Cards in Sync with NAV Software

PSD4624EX30 camera with built-in Micro SD/SDHC/SDXC card slots can provide redundant video viewing and recording. You can synchronize an SD card with LILIN VMS (Video Management Software) – Navigator (NAV)



Two-way Audio Support

With 2-way audio communication, you can project your voice through the camera's speaker instead of hearing what's going on (1-way audio)



Wind and Rain Standards

Meet international IP66 standards for dust and moisture resistant allowing you to install cameras in environments subject to wind and rain



30X Day/Night 60fps Full HD PTZ IP Camera

Video Performance

Model	PSD4624EX30
Min. Illumination	0.5 lux (1/30 sec, F1.6(Wide), 50IRE, AGC-Gain: 30dB ICR-OFF Color mode)

Lens / Night vision (infrared LED)

Lens zoom ratio	30X Optical
Focal Length	4.3 (WIDE) – 129.0 (TELE) mm
Minimum Aperture Ratio	1 : 1.6 (Wide) – 4.7 (Tele)
Iris Range	F1.6 – 32 , Close
Iris Control	DC IRIS , ALC (Adjustable Output Target Level) / Manual
Minimum Object Distance	10 cm (WIDE end), 1.5M (TELE end)
Angle of View	(H) 64.45°(W) – 2.41°(T) (V) 39.27°(W) – 1.36°(T))
Zoom Speed	0 – 7 Selectable [Fast : Approx. 6.0 Second (Tele to Wide) in Manual Mode]
Focus Speed	0 – 7 Selectable [Fast : Approx. 6.0 Second (Far to Near) in Manual Mode]
Focus	Auto (Continue / Interval / Zoom Trigger / One Push), Manual Focus

Sensor

Pick Up Element	1/2.8" CMOS image sensor
Effective Pixels	1944 (H) × 1224 (V) = 2,379,456 (pixels)

Certifications

CE	Yes, EMI Class A
FCC	Yes, EMI Class A
UL	Yes
IP Rating	IP66
Vandal Resistant Rating	IK10

Power and Environment

Starting Temperature	- 40°C – + 50°C (-40°F – 122°F)
Operating Temperature	- 40°C – + 50°C (-40°F – 122°F)
Storage Temperature	- 20°C – + 60°C (-4°F – 160°F)
Humidity	0% – 90%
Power Supply	AC24V ±10% / DC24V / PoE++ (IEEE 802.3bt)
Power Consumption	AC24V, 20W / DC24V, 32W / PoE++, 31.2W (Heater OFF) AC24V, 48W / DC24V, 51W / PoE++, 52.1W (Heater ON)

Pan & Tilt

Control Function	Pan and Tilt / Zoom and Focus / Iris and ICR / 256 Preset Position / Home Position
Auto Mode	OFF / SCAN(16) / SEQ(256) / TOUR(16) / PATROL(16) / Auto TRACKING
Schedule Setting	OFF / SCAN (4) / SEQ(256) / TOUR(4) / PATROL(4) / Preset Position(256)(via web interface)
Panning range	360° Endless
Panning mode	Manual , Auto , Manual Position , Sequential Position
Panning speed	Manual Approx. 0.1°/s – 120°/s 8 Steps, Preset Approx. 1°/s – 360°/s, Alarm Trigger Speed 360°/s
Tilting range	-6° – +186°
Tilting mode	Manual , Auto , Manual Position , Sequential Position
Tilting speed	Manual Approx. 0.1°/s – 120°/s 8 Steps, Preset Approx. 1°/s – 360°/s, Alarm Trigger Speed 360°/s

PC Requirements

CPU	Intel® Core™ i3 or higher grade
OS	Windows 7 or above
RAM	4GB or above, Dedicated Graphics Card
Web browser	Microsoft® Internet Explorer® 9 or above

Mechanical

Dimension	275 (H) × 192 (D) mm
Weight	2750 g
Casing Material	Aluminum alloy
Window	Transparent dome cover

Input / Output

Audio Input / Output	one audio input / one audio output Terminal block type (microphone not built-in)
Live Video Output	CVBS 1.0Vp-p, 75 ohm, terminal block type
Audio	G.711 u-law / PCM
Alarm Input / Output	Digital 4 Input (TTL 5Vdc) , 2 Output (0.5A 120Vac, 1A 24Vac) , Terminal block type

Video Streaming

Video Compression	H.264 Main and High Profile, Motion JPEG
Video Streaming	RTP/HTTP, RTP/TCP, RTP/UDP, Multicast 4 configurable streams in H.264 and Motion JPEG, configurable frame rate and bandwidth
Video Bitrate	128Kbps – 12Mbps, Frame rate and bit rate controllable on-the-fly, VBR / CBR / GOP supported; Fixed bitrate

Network Security

Encryption	Base64 HTTP encryption
Authentication	Digest HTTP authentication, RTSP Authentication, IEEE 802.1x authentication
Address Filter	IP address filter, MAC address filter
Access	Multiple user access levels with password protection
User accounts	Multiple user access levels with password protection
Multi IP address	Yes

Video Resolutions (H x V)

Resolution	2MP(1920 × 1080), 1.3MP(1280 × 960), 1MP(1280 × 720), D1(720 × 480, 720 × 576), VGA(640 × 480), CIF(352 × 240)
Maximum Frame Rate	Normal mode (H.264 / MJPEG) 60Hz: 60 FPS @ 1920 × 1080 50Hz: 50 FPS @ 1920 × 1080 WDR mode (H.264 / MJPEG) 60Hz: 30 FPS @ 1920 × 1080 50Hz: 25 FPS @ 1920 × 1080

Video Functions

Scanning System	Progressive Scan
Infrared Cut Filter	Auto / Day (Color) / Night (Mono)
White Balance	ATW / Indoor(3200K) / Outdoor(5800K) / Manual(1800K – 10500K)
Back Light Compensation	OFF / ON
Electrical Shutter	Auto / manual(1/30(25) – 1/10,000)
Exposure Mode	AUTO / IRIS.P / SHUT.P / MANUAL
Sense Up	OFF / ON
Sense Up+	Yes
Auto Gain Control	50dB Variable Gain
S/N Ratio	More than 50dB (AGC off)
3D Noise Reduction	OFF / ON (1 – 5)
High Dynamic Range	Up to 90dB
Privacy Masking	OFF / ON (Up to 16 area)
Image Effects	Contrast, Sharpness, Mirror, Flip, Defog, DIS, Digital Zoom(x16)

Integration

Mobile Application	Integrated to LILIN mobile app (LILIN Viewer) iPhone, iPad, Android support
Video Management	ONVIF Profile S, LILIN Navigator Enterprise 2.0, Third party VMS through LILIN HTTP API
SD Card Recording	Support Micro SD/SDHC/SDXC (up to 128GB) card for circular recording (card is not included)
Maintenance	Firmware update via HTTP and IP Scan; Firmware available at web site
IVS Basic 1.0	Motion Detection, Tampering Detection, Advanced Motion Detection, Traffic Light Detection, Tripwire Detection, Object Counting
Event Triggers	Alarm(1 – 4) / Motion / Tamper / Audio / Network loss detection
Event actions	FTP, SMTP, SD card, SAMBA, Alarm output(2), HTTP post, SNMP Trap, Preset position
Control Interface	RS-485, Half-Duplex, support MLP2, Pelco D/P protocols
Languages	English, Traditional Chinese, Simplified Chinese, Spanish, Italian, Turkish, Russian, Korean, French, Arabic, Hungarian, Japanese

Network

Ethernet	10/100/1000Mbps Base-T, RJ-45
ePTZ & Digital Zoom	16X
Web PTZ control	Pan , tilt , zoom in / out , absolute position, and video-click-n-move
OSD	Text overlay for date, time, and camera name, and PTZ position
CPU, Memory	Embedded SoC, 500MHz Dual ARM Cortex-A9 & 500MHz ARM11, 1GB DDR3, 256MB flash memory
OS	Embedded Linux 3.8.0
Network Protocols	IPv4, IPv6, TCP, UDP, HTTP, SMTP, QoS, SNMP, SNMP Trap, NTP, DDNS, UPnP, FTP, ARP, DHCP, PPPoE, DNS, RTSP, RTCP, Telnet, ICMP, IGMP, ONVIF Profile S, SIP, Bonjour, 802.1x
Max number of online users	10 user accounts available
Video Display	LILIN Universal ActiveX & HTML5