



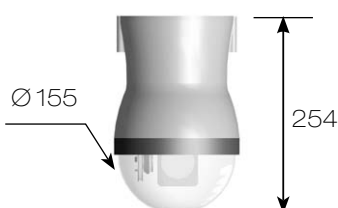
The IPS5184 / IPS5188 is 1080P HD IP PTZ Dome camera. The high-speed dome is capable of streaming HD video at up to 30 FPS. Featuring LILIN's Wide dynamic Range (WDR) feature, the IPS5184 / IPS5188 captures highlights and shadows simultaneously, eliminating pixilation and smear. Combine this with 3D Noise Reduction technology and adaptive tone reproduction and the contrast of images in bright or dark areas is dramatically improved. Capable of making 360° continuous rotations, users can accurately position the camera to identify specific targets. The 18x optical zoom gives the IPS5184 / IPS5188 an impressive range. With a focal length of 4.7 – 84.6mm and a compact design, the IPS5184 / IPS5188 is ideal for numerous applications.

FEATURES :

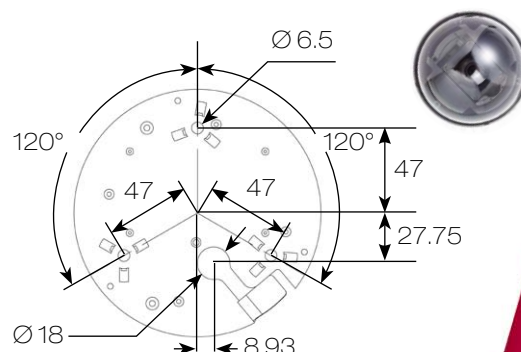
- 18X Optical zoom Lens(4.7 – 84.6mm)
- HD 3 megapixel CMOS image sensor
- True H.264 AVC/MPEG-4 part 10 real-time Video compression
- H.264 and Motion JPEG multi-profile Video streaming
- Wide dynamic range / Digital noise reduction
- Sens. Up Function
- Dynamic privacy zone mask
- 2-way audio supported
- ONVIF supported
- 256X Sens.Up
- Up to 128 Programmable Preset Positions
- 2-way audio supported
- ONVIF supported

DIMENSIONS : (Unit : mm)

Ø 155 x 245



INSTALLATION HOLE SITE DIAGRAM :



SPECIFICATION :

Name	18X Day & Night 1080P HD WDR PTZ Dome IP Camera (Indoor)	
Model	IPS5184	IPS5188
Power supply	AC24V	AC100 - 240V
Power consumption	15.5W	16W
Image pick-up device	1/2.8 Type Exmor CMOS Sensor	
Effective pixels	2096 (H) x 1561 (V) = 3,269,760 (pixels)	
Total number of pixel	2144 (H) x 1588 (V) = 3,404,672 (pixels)	
Scanning system	Progressive scan	
Video output	CVBS 1.0 Vp-p / 75 Ω BNC	
Minimum illumination	0.1 lux (F1.6, 50IRE)	
Ambient operating temperature	- 10°C - + 50°C (14°F - 122°F)	
Operating humidity	0% - 90%	
Dimension	245 mm (H) x 155 mm (D)	
Weight	2300 g	
Pan & tilt		
Panning range	360° Endless	
Panning mode	Manual , auto , manual position , sequential position	
Panning speed	Manual approx. 0.15°/s - 120°/s 8 Steps, Preset approx. 1°/s - 255°/s, Alarm Trigger Speed 360°/s	
Tilting range	- 6° - + 96°	
Tilting mode	Manual , auto , manual position , sequential position	
Tilting speed	Manual approx. 0.15°/s - 120°/s 8 Steps, Preset approx. 1°/s - 255°/s, Alarm Trigger Speed 360°/s	
Lens		
Zoom ratio	18X Optical zoom	
Focal length	4.7 mm (WIDE) to 84.6.0 mm(TELE)	
Minimum aperture ratio	1 : 1.6 (Wide) - 3.5 (Tele)	
Minimum object distance	10 cm (WIDE end), 1.5m (TELE end)	
Iris range	F1.6 - 360 , Close	
Angle field of view	54.1 degrees (WIDE end), approx. 3.2 degrees (TELE end), (1080P mode)	
Main functions		
Control function	Pan and Tilt / Zoom and Focus / Iris and ICR / 128 Preset Position / Home Position	
Zoom speed	Slow / MID. / Fast Selectable [Fast : Approx. 5.0 Second(Tele to Wide) in Manual Mode]	
Focus speed	Slow / MID. / Fast Selectable [Fast : Approx. 5.0 Second (Far to Near) in Manual Mode]	
Auto focus	Auto / One Push Focus	
Iris	Auto / Manual	
Day & Night	Day / Night / Auto / Schedule	
Sense up (Slow shutter)	OFF / ON	
Electronic shutter speed	1/1 to 1/10,000	
Exposure mode	Auto / Manual	
Back light compensation	OFF / ON	
Digital Wide dynamic range (atr)	OFF / ON	
Sharpness	Adjustable	
White balance	ATW / AWC / Manual (1700K - 11000K)	
Auto gain control	0 - 28dB (12 Step)	
Digital noise reduction	(2D) OFF / LEVEL=1 - 5	
Auto mode	OFF / AUTO / SEQ / TOUR	
Dynamic privacy zone mask	OFF / ON (Up to 14 area)	
Digital effect	OFF / Mirror	
Alarm input / output	6 Input (TTL 5Vdc) , 2 Output (0.5A 120Vac,1A 24Vac)	
Schedule setting	OFF / Auto mode / Preset Position	

Network		
Video compression	H.264, Motion JPEG	
Resolution	1080P(1920 x 1080), 720P(1280 x 720), D1(720 x 480), CIF(352 x 240)	
Frame rate	H.264 : up to 30 FPS at 1080P(1920 x 1080) Motion JPEG : up to 30 FPS at D1(720 x 480)	
Video streaming	RTP/HTTP, RTP/TCP, RTP/UDP, Multicast	
Video bitrate	128 Kbps to 5 Mbps	
	Frame rate and bitrate controllable on-the-fly VBR / CBR / GOP supported	
Security	Base64 HTTP encryption Multiple user access levels with password protection	
Max number of online users	10 user accounts available	
User accounts	8 simultaneous users	
OSD	Text overlay for date, time, and camera name	
Alarm function	Image upload over FTP and E-mail by alarm / motion detection	
CPU, memory	Embedded SoC ARM11, 528MHz, 256MB DDR2, 256MB flash memory	
Web PTZ control	Pan , tilt , zoom in / out , absolute position, and video-click-n-move	
PTZ preset scheduling	Yes, via web interface	
Maintenance	Firmware update via HTTP	
	Firmware available at web site	
Network interface	10Mbps / 100Mbps , RJ-45	
Client pc requirement	OS : Windows 2000 , Windows XP , Windows Vista, Windows 7	
	Browser : Windows Internet Explorer 6, 7, 8	
	CPU : intel pentium 4 1.8GHz or above RAM : 1GB or above, Independent Display Card	
Network protocols	IP, TCP, UDP, HTTP, SMTP, NTP, DDNS, UPnP, FTP, ARP, DHCP, PPPoE, DNS, Telnet, RTSP, RTCP, ONVIF Profile S, ICMP, IGMP	
Mobile phone	iPhone, iPad, and Android support	
System integration	ONVIF & LILIN HTTPAPI	
Central management system	CMX 3.6 / NAV 1.0 support	
Video display	LILIN Universal ActiveX & LILIN Java Applet	
OS	Embedded Linux 2.6.32	
Two-way audio	G.711	
SD card recording	Support Micro SD/SDHC/SDXC card for circular recording (card is not included)	
D/N quality setting	Yes	
IP address filter	Yes	
Multi IP address	Yes	
Alarm event actions	Yes	
Alarm weighted mode	Yes	
RTSP Authentication	On / Off	

