



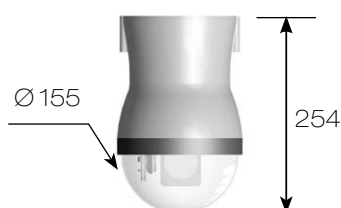
The IPS5180E is indoor fitted 18X Day & Night 1080P HD WDR PTZ Dome IP Camera that in compliance with LILIN's already established HD PTZ series of cameras. The camera can be powered through High Power over Ethernet, which complies with the PoE standard IEEE 802.3at. The high-speed domes are capable of streaming HD video at up to 30 FPS. Featuring LILIN's Wide dynamic Range (WDR) feature, the IPS5180E captures highlights and shadows simultaneously, eliminating pixilation and smear. Combine this with Digital noise reduction technology and adaptive tone reproduction and the contrast of images in bright or dark areas is dramatically improved. Capable of making 360° continuous rotations, users can accurately position the camera to identify specific targets.

#### FEATURES :

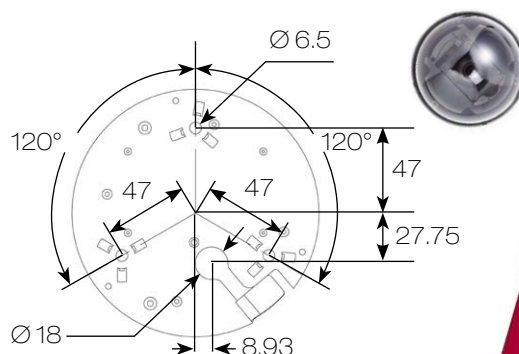
- 18X Optical zoom Lens(4.7 – 84.6mm)
- HD 3 megapixel CMOS image sensor
- True H.264 AVC/MPEG-4 part 10 real-time Video compression
- H.264 and Motion JPEG multi-profile Video streaming
- Wide dynamic range / Digital noise reduction
- Sens. Up Function
- Dynamic privacy zone mask
- 2-way audio supported
- ONVIF supported
- 256X Sens.Up
- Up to 128 Programmable Preset Positions
- 2-way audio supported
- ONVIF supported

#### DIMENSIONS : (Unit : mm)

Ø 155 x 245



#### INSTALLATION HOLE SITE DIAGRAM :



## SPECIFICATION :

Name	18X Day & Night 1080P HD WDR PTZ Dome IP Camera (Indoor)
Model	IPS5180E
Power consumption	PoE+ 14W
Image pick-up device	1/2.8 Type Exmor CMOS Sensor
Effective pixels	2096 (H) x 1561 (V) = 3,269,760 (pixels)
Total number of pixel	2144 (H) x 1588 (V) = 3,404,672 (pixels)
Scanning system	Progressive scan
Video output	CVBS 1.0 Vp-p / 75 Ω BNC
Minimum illumination	0.1 lux (F1.6, 50IRE)
Ambient operating temperature	-10°C – + 50°C ( 14°F – 122°F )
Operating humidity	0% – 90%
Dimension	245 mm (H) x 155 mm (D)
Weight	2300 g
Pan & tilt	
Panning range	360° Endless
Panning mode	Manual , auto , manual position , sequential position
Panning speed	Manual approx. 0.15°/s – 120°/s 8 Steps, Preset approx. 1°/s – 255°/s, Alarm Trigger Speed 360°/s
Tilting range	- 6° – + 96°
Tilting mode	Manual , auto , manual position , sequential position
Tilting speed	Manual approx. 0.15°/s – 120°/s 8 Steps, Preset approx. 1°/s – 255°/s, Alarm Trigger Speed 360°/s
Lens	
Zoom ratio	18X Optical zoom
Focal length	4.7 mm (WIDE) to 84.6.0 mm(TELE)
Minimum aperture ratio	1 : 1.6 (Wide) – 3.5 (Tele)
Minimum object distance	10 cm (WIDE end), 1.5m (TELE end)
Iris range	F1.6 – 360 , Close
Angle field of view	54.1 degrees (WIDE end), approx. 3.2 degrees (TELE end), (1080P mode)
Main functions	
Control function	Pan and Tilt / Zoom and Focus / Iris and ICR / 128 Preset Position / Home Position
Zoom speed	Slow / MID. / Fast Selectable [ Fast : Approx. 5.0 Second( Tele to Wide) in Manual Mode ]
Focus speed	Slow / MID. / Fast Selectable [ Fast : Approx. 5.0 Second ( Far to Near ) in Manual Mode ]
Auto focus	Auto / One Push Focus
Iris	Auto / Manual
Day & Night	Day / Night / Auto / Schedule
Sense up (Slow shutter)	OFF / ON
Electronic shutter speed	1/1 to 1/10,000
Exposure mode	Auto / Manual
Back light compensation	OFF / ON
Digital Wide dynamic range (atr)	OFF / ON
Sharpness	Adjustable
White balance	ATW / AWC / Manual (1700K – 11000K)
Auto gain control	0 – 28dB (12 Step)
Digital noise reduction	(2D) OFF / LEVEL=1 – 5
Auto mode	OFF / AUTO / SEQ / TOUR
Dynamic privacy zone mask	OFF / ON ( Up to 14 area)
Digital effect	OFF / Mirror
Alarm input / output	6 Input (TTL 5Vdc) , 2 Output (0.5A 120Vac,1A 24Vac)
Schedule setting	OFF / Auto mode / Preset Position

Network	
Video compression	H.264, Motion JPEG
Resolution	1080P(1920 x 1080), 720P(1280 x 720), D1(720 x 480), CIF(352 x 240)
Frame rate	H.264 : up to 30 FPS at 1080P(1920 x 1080) Motion JPEG : up to 30 FPS at D1(720 x 480 )
Video streaming	RTP/HTTP, RTP/TCP, RTP/UDP, Multicast
Video bitrate	128 Kbps to 5 Mbps Frame rate and bitrate controllable on-the-fly VBR / CBR / GOP supported
Security	Base64 HTTP encryption Multiple user access levels with password protection
Max number of online users	10 user accounts available
User accounts	8 simultaneous users
OSD	Text overlay for date, time, and camera name
Alarm function	Image upload over FTP and E-mail by alarm / motion detection
CPU, memory	Embedded SoC ARM11, 528MHz, 256MB DDR2, 256MB flash memory
Web PTZ control	Pan , tilt , zoom in / out , absolute position, and video-click-n-move
PTZ preset scheduling	Yes, via web interface
Maintenance	Firmware update via HTTP Firmware available at web site
Network interface	10Mbps / 100Mbps , RJ-45
Client pc requirement	OS : Windows 2000 , Windows XP , Windows Vista, Windows 7 Browser : Windows Internet Explorer 6.0 or above CPU : intel pentium 4 1.8GHz or above RAM : 1GB or above, Independent Display Card
Network protocols	IP, TCP, UDP, HTTP, SMTP, NTP, DDNS, UPnP, FTP, ARP, DHCP, PPPoE, DNS, Telnet, RTSP, RTCP, ONVIF Profile S, ICMP, IGMP
Mobile phone	iPhone, iPad, and Android support
System integration	ONVIF & LILIN HTTPAPI
Central management system	CMX 3.6 / NAV 1.0 support
Video display	LILIN Universal ActiveX & LILIN Java Applet
OS	Embedded Linux 2.6.32
Two-way audio	G.711
SD card recording	Support Micro SD/SDHC/SDXC card for circular recording (card is not included)
D/N quality setting	Yes
IP address filter	Yes
Multi IP address	Yes
Alarm event actions	Yes
Alarm weighted mode	Yes
RTSP Authentication	On / Off

